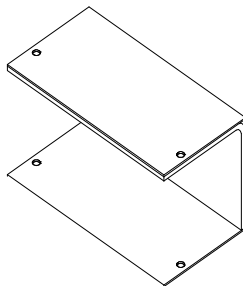
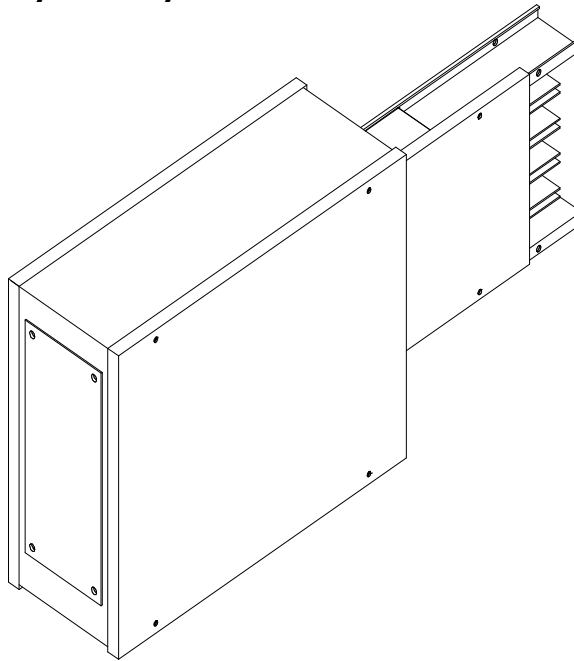
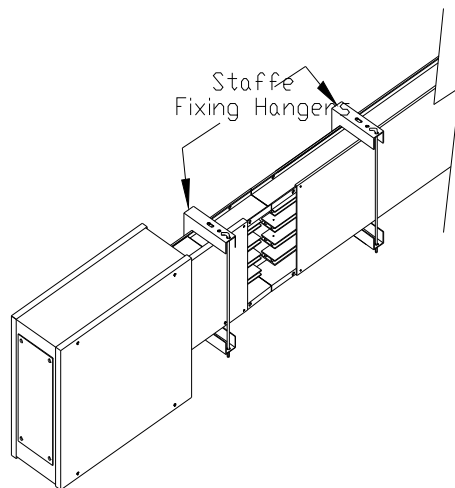


**GDA/GDR FEED UNIT/END CAP****VALID FOR:**

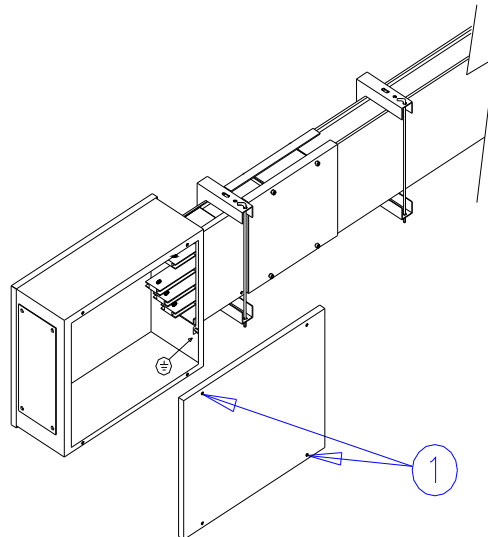
**Cod. GDA100020M/21M**  
**Cod. GDA100020/21/22/23-42/43**  
**Cod. GDR100020M/21M**  
**Cod. GDR100020/21/22/23-42/43**  
**Cod. GDA116042/43**  
**Cod. GDR116042/43**  
**Cod. GDR120042/43**



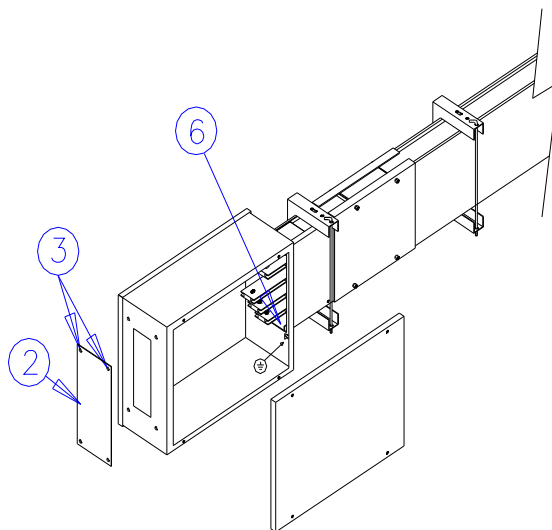
**Cod. GDA100027**  
**Cod. GDA100028**  
**Cod. GDA100029**  
**Cod. GDACT4**  
**Cod. GDACT5**



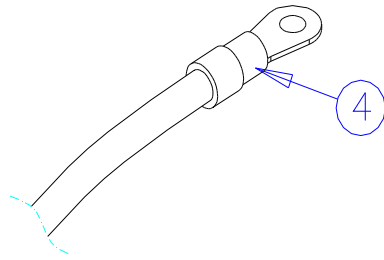
- a) Fix the support and mount the feed unit to the first bus way element as explained into "Assembly instruction line and GDA joint"; we suggest to support the feed unit body with another support.



- b) Unscrew four screws (1) and remove the lid.

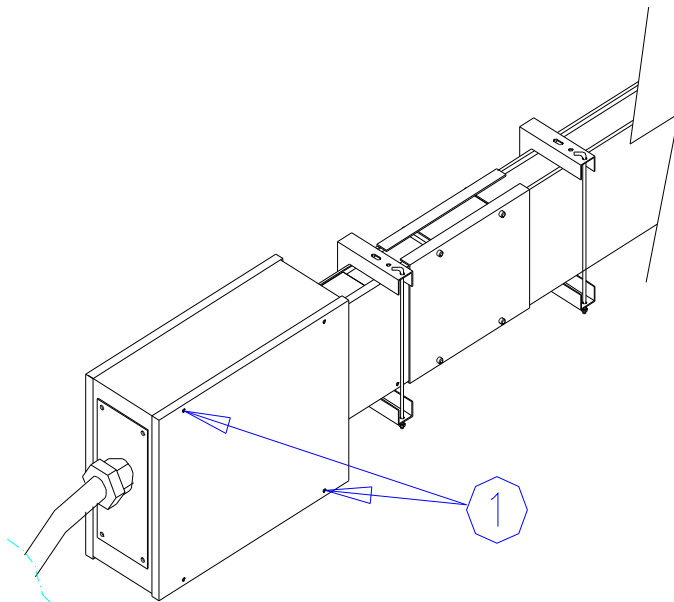
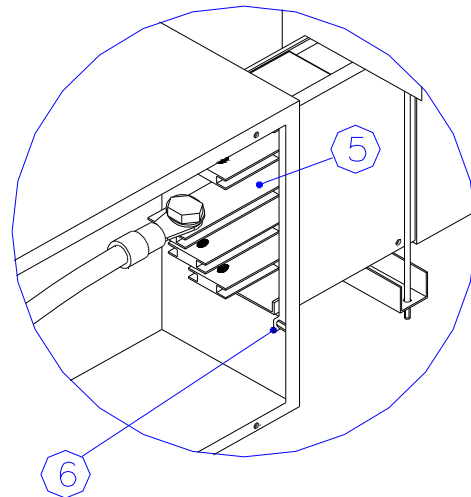


- c) Unscrew four screws (3) and remove plate (2) (when the plate is installed).

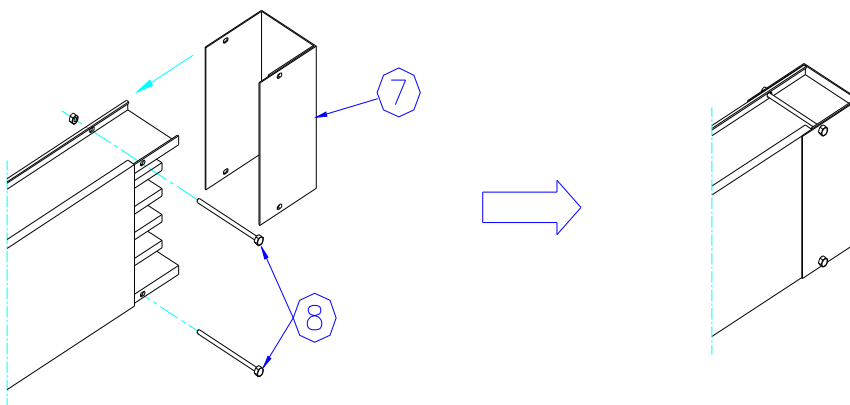


d) Prepare the cables with wire terminals (4).

e) Connect wire terminal to the bars (5) and to the PE contact (6) by means of screws, nuts and washers.



f) Close the lid and tight four screws (1).



g) Fix the end cap (7) and tight the four screws (8).