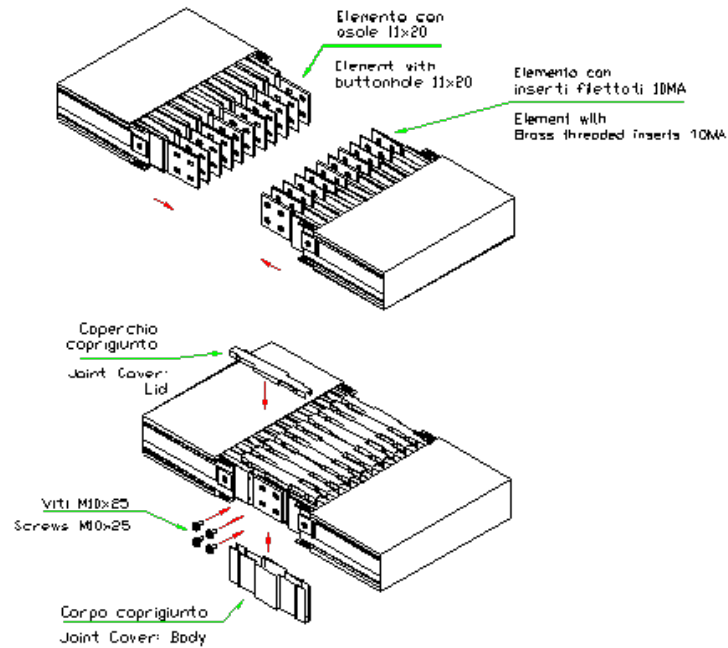


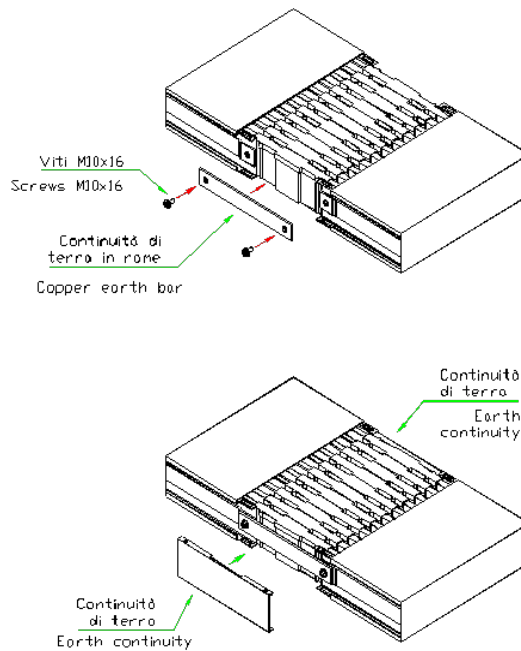
ASSEMBLY INSTRUCTIONS – LINE COVER

12. Follow the previous instructions from point 1 to 10, then assemble the plastic cover joints;

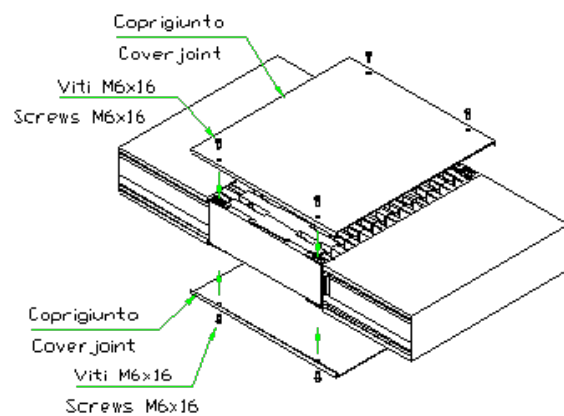


13. If the external PE bar is provided, fasten it with two M10 screws before fixing the continuity elements of the lateral structure;

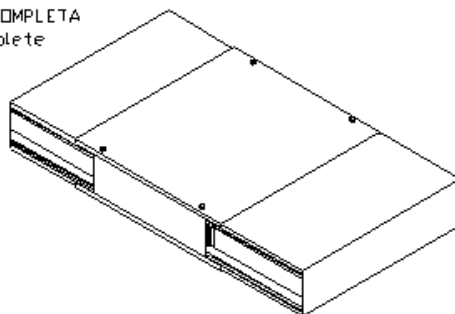
14. Position then the continuity elements of the lateral structure;



15. Position the two covers and fasten them with 4 M6x16 screws each.



GIUNZIONE COMPLETA
Joint Complete



ATTENTION: remove the film on the cover before setting the line.