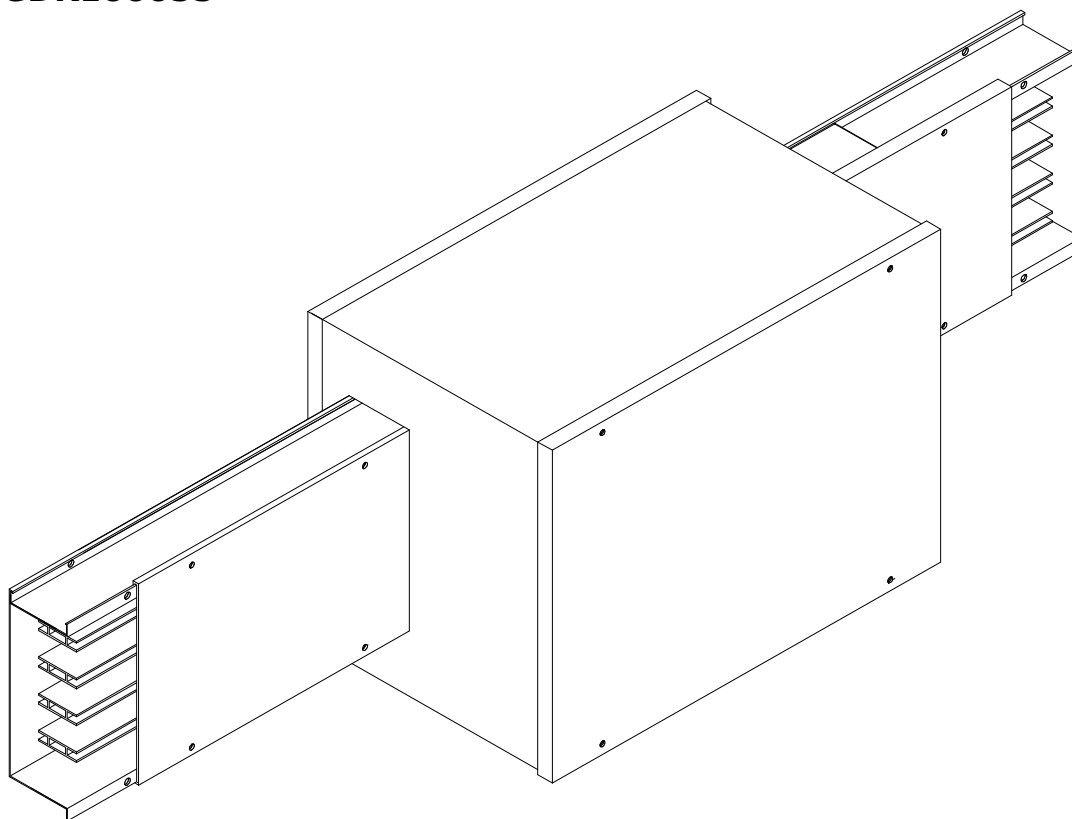
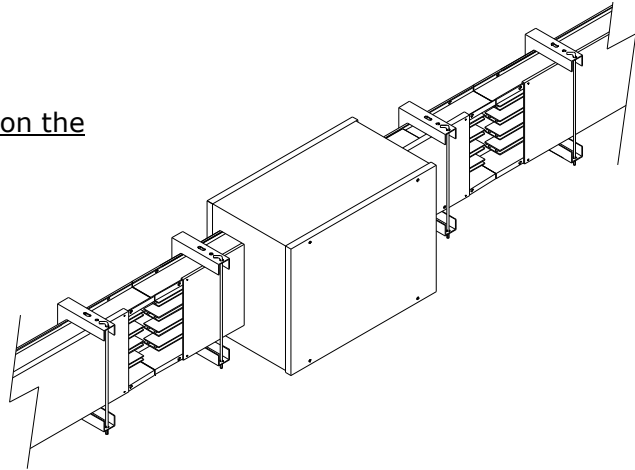


CENTRE FEED UNIT GDA/GDR**VALID FOR:**

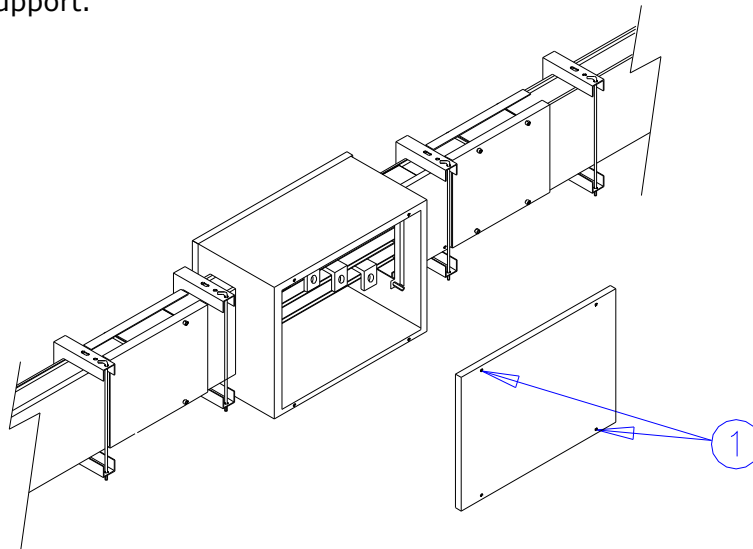
Cod. GDA100024M
Cod. GDA100024
Cod. GDA100025
Cod. GDA100045
Cod. GDA100055
Cod. GDA120055
Cod. GDR100024M
Cod. GDR100024
Cod. GDR100025
Cod. GDR100045
Cod. GDR100055



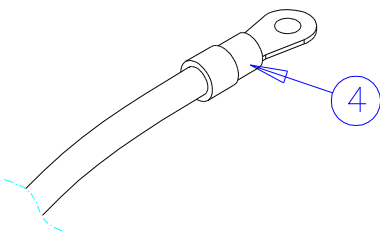
ATTENTION: Pierce the box before mounting on the line, adapt it for allow the cable entrance.



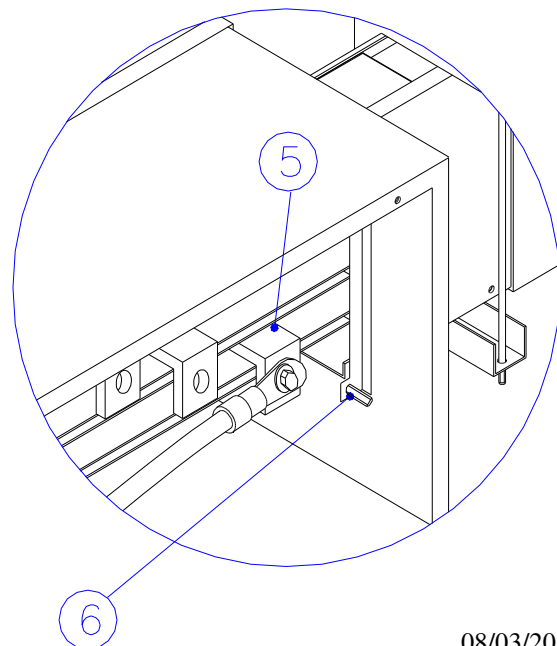
- a) Fix the hanger and mount the center feed unit to two busbar elements as explained into "Assembly instruction line and GDA joint part; we suggest to support the center feed unit box with another support.



- b) Unscrew four screws (1) and remove the lid.



- c) Prepare the cables with wire terminals (4).



- d) Connect wire terminal to the bar (5) and to the Pe contact (6) by screws, nuts and washers.

e) Close the lid and tight four screws (1).

