

ASSEMBLY INSTRUCTIONS – SEP FOR K SERIES

- 1) Every connection is composed by a kit of flexible connections and the flexible number depends from the rated current. Follow the "Table Al" for ALUMINIUM FLEXIBLES or the "Table Cu" for COPPER FLEXIBLES.
- 2) When you found the flexible series to install, extract quantities and types pointed out in the table, from the pack:
ex. = 2 x SEPDKK; means that you must take n°2 flexibles with SEPDK label.
- 3) Make the electric connection in the following way, respecting the quantities of the table for every single phase:
 - a) Measure and cut (from the part of the flexible not drilled) every flexible of the needed length;
 - b) Remove the thermal shrink tube for the contact surface height needed;
 - c) Hole the flexibles and connect them to the transformer or to the panel with nuts, washers and bolts. The mount sequence is:
 - With flanged nuts: screw, washer, flexible, silver plate (if necessary), bar and flanged nut
 - With nuts not flanged: screw, washer, flexible, silver plate (if necessary), bar, washer and nut
 - d) Connect the other flexible side to the conductor line (see the drawing in the next page);
 - e) Place the same number of flexibles on the left and on the right of the bar.

The tightening torque to close M10 screws is 40 Nm for aluminum conductors and 60 Nm for copper conductors.

The recommend tightening torque is 70 Nm for aluminum conductors with bolt M12.

Note that the number and the type of flexibles to use depends on the rating current of the line.

Graziadio will provide screws, washers and nuts for the connection of flexibles to the line conductors. Silver plates must be ordered if needed.

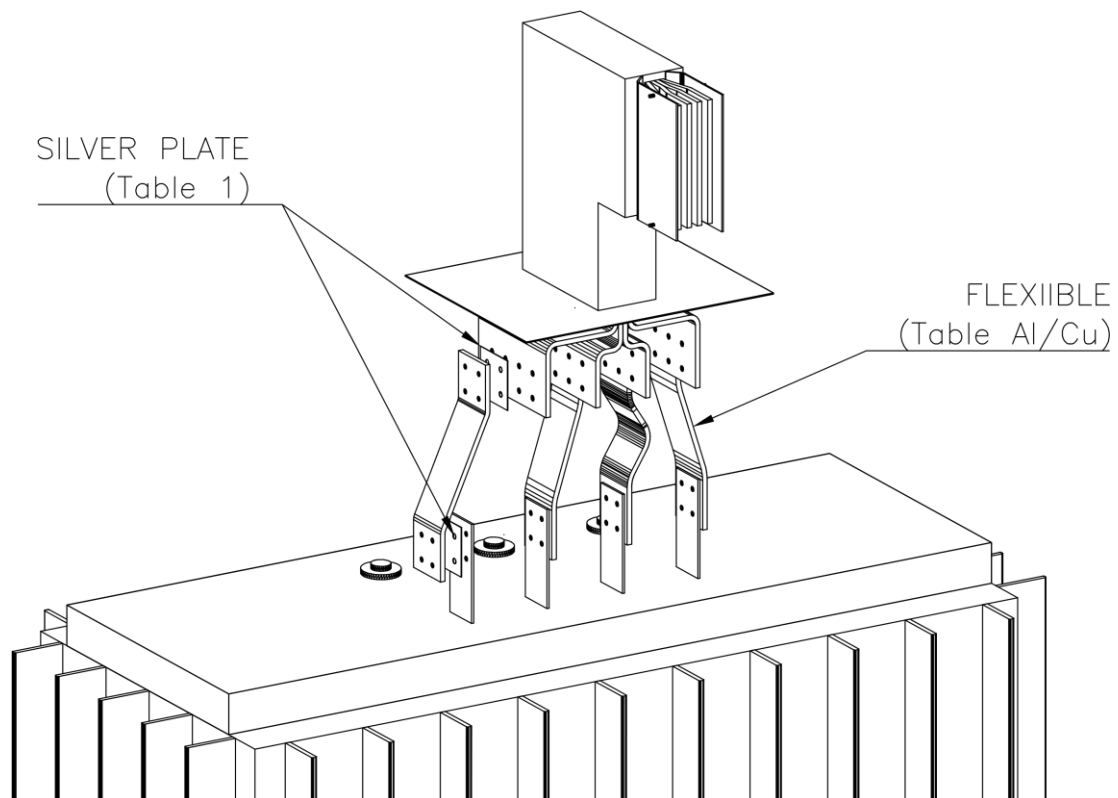
IMPORTANT:

Direct contacts between aluminum and copper are forbidden; it is necessary to put silver plates between conductors with different material.

Read carefully the following table and see the drawing below to understand when and where to install silver plates.

Table 1

LINE	FLEXIBLE	TR / PANEL	SILVER PLATE	WHERE?
Al	Al	Al	NO	-
Al	Al	Cu	YES	Flex - TR/Panel
Al	Cu	Al	YES	Line - Flex & Flex - TR/Panel
Al	Cu	Cu	YES	Line - Flex
Cu	Al	Al	YES	Line - Flex
Cu	Al	Cu	YES	Line - Flex & Flex - TR/Panel
Cu	Cu	Al	YES	Flex - TR/Panel
Cu	Cu	Cu	NO	-



The table below shows the different available flexible typologies with the correspondent material (Al/Cu) and thickness (expressed in mm).

TYPE	MATERIAL	THICKNESS (mm)
A	Cu	4
B	Cu	5
C	Cu	6,5
D	Al	4
E	Al	5

- FLEXIBLE COMPOSITION – ALUMINIUM (Table Al)

RATED CURRENT [A]	PRODUCT Code	L1 [n°]	L2 [n°]	L3 [n°]	N [n°]	TOT. [n°]
1000	SEP10KA	2 x SEPDK	2 x SEPDK	2 x SEPDK	2 x SEPDK	8 x SEPDK
1250	SEP12KA	2 x SEPDK	2 x SEPDK	2 x SEPDK	2 x SEPDK	8 x SEPDK
1350	SEP13KA	2 x SEPEK	2 x SEPEK	2 x SEPEK	2 x SEPEK	8 x SEPEK
1600	SEP16KA	2 x SEPEK	2 x SEPEK	2 x SEPEK	2 x SEPEK	8 x SEPEK
2000	SEP20KA	4 x SEPDK	4 x SEPDK	4 x SEPDK	4 x SEPDK	16 x SEPDK
2500	SEP25KA	4 x SEPEK	4 x SEPEK	4 x SEPEK	4 x SEPEK	16 x SEPEK
3200	SEP32KA	6 x SEPDK	6 x SEPDK	6 x SEPDK	6 x SEPDK	24 x SEPDK
4000	SEP40KA	6 x SEPEK	6 x SEPEK	6 x SEPEK	6 x SEPEK	24 x SEPEK
5000	SEP50KA	8 x SEPEK	8 x SEPEK	8 x SEPEK	8 x SEPEK	32 x SEPEK

- FLEXIBLE COMPOSITION – COPPER (Table Cu)

RATED CURRENT [A]	PRODUCT Code	L1 [n°]	L2 [n°]	L3 [n°]	N [n°]	TOT. [n°]
1000	SEP10KR	1 x SEPDK	1 x SEPDK	1 x SEPDK	1 x SEPDK	4 x SEPDK
1250	SEP12KR	1 x SEPDK	1 x SEPDK	1 x SEPDK	1 x SEPDK	4 x SEPDK
1350	SEP13KR	1 x SEPCK	1 x SEPCK	1 x SEPCK	1 x SEPCK	4 x SEPCK
1600	SEP16KR	1 x SEPCK	1 x SEPCK	1 x SEPCK	1 x SEPCK	4 x SEPCK
2000	SEP20KR	2 x SEPDK	2 x SEPDK	2 x SEPDK	2 x SEPDK	8 x SEPDK
2500	SEP25KR	2 x SEPCK	2 x SEPCK	2 x SEPCK	2 x SEPCK	8 x SEPCK
3200	SEP32KR	3 x SEPDK	3 x SEPDK	3 x SEPDK	3 x SEPDK	12 x SEPDK
4000	SEP40KR	3 x SEPCK	3 x SEPCK	3 x SEPCK	3 x SEPCK	12 x SEPCK
5000	SEP50KR	4 x SEPCK	4 x SEPCK	4 x SEPCK	4 x SEPCK	16 x SEPCK

For further information:
Tel. +39.011.9591991, e-mail info@graziadio.it
www.graziadio.it



**ISOLFLEX for
K SERIES**

800 - 5000 A