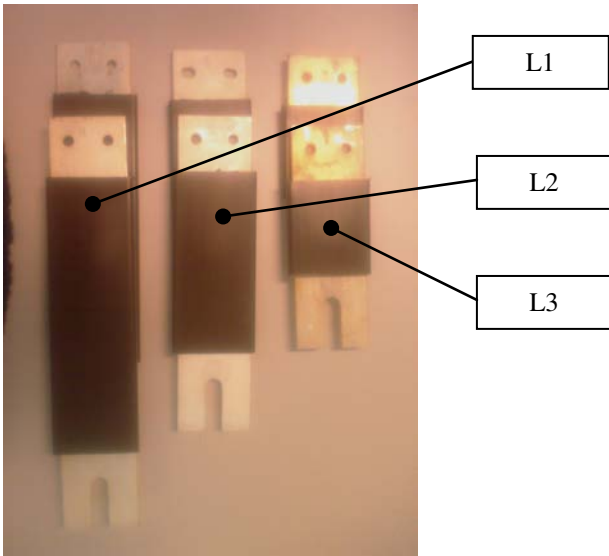


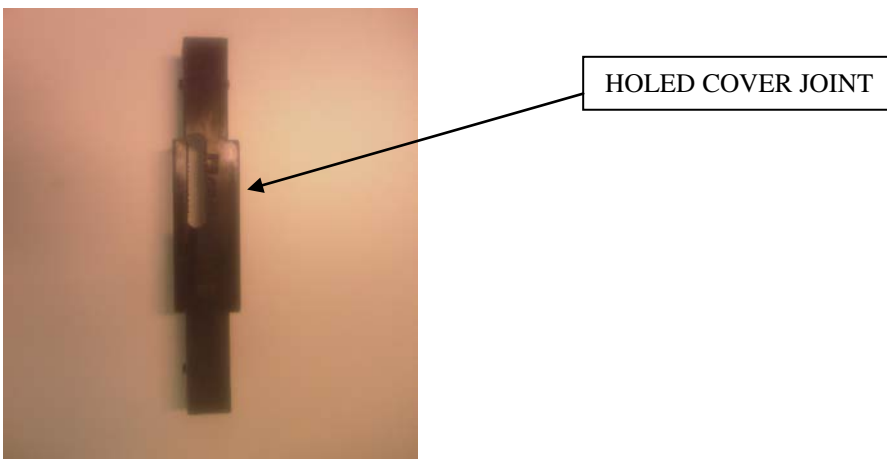
## ASSEMBLY INSTRUCTION TAP OFF BOX (DV TYPE)

1. On the mounted line remove the black plastic cover joint in order to discover the connection;
2. Remove the top screw of the existing joint, insert the elastic washer and the new screw M10x30 (do not tight);
3. Insert silvered bars (see photo) in the following sequence:  
Neutral (if present) - L1 - L2 - L3 - L1 - L2 - L3 and tighten the junction screws at 60 Nm;



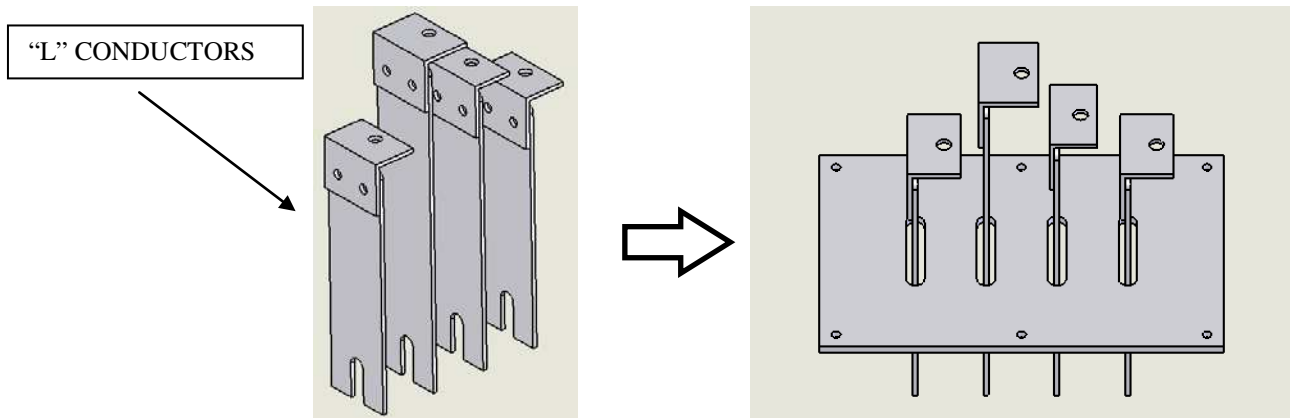
N. conductors	I <sub>n</sub> switch	L1	L2	L3	N
4	160A	1	1	1	1
4	400A	1	1	1	1
6	400A	2	2	2	0
7	160A	2	2	2	1
7	400A	2	2	2	1
8	400A	2	2	2	2
9	1250A	3	3	3	0
10	1250A	3	3	3	1

4. Close the cover joint with the holed cover joint;

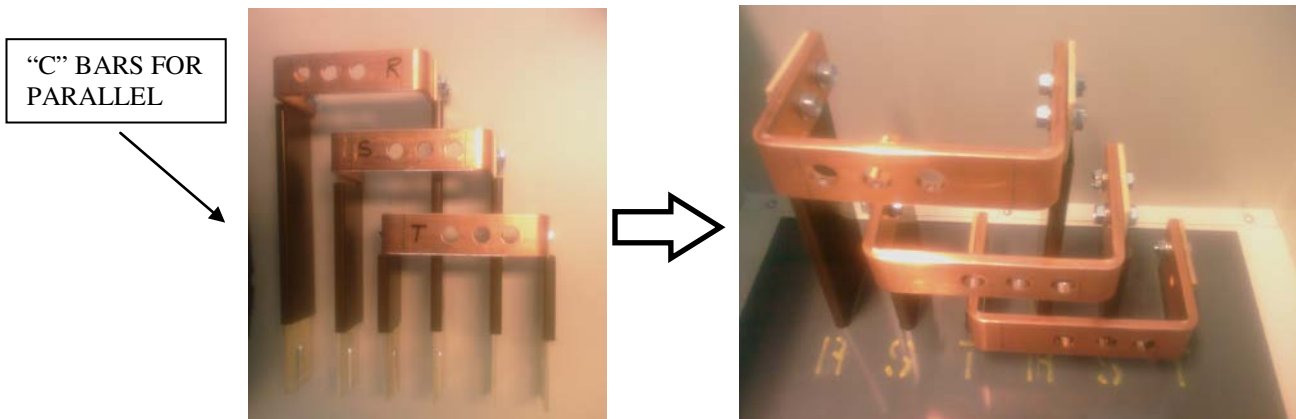


5. Insert the tape off box (after removing transparent protection), check that the neutral position of the switch corresponds to the neutral line, fix the box using the four special brackets already mounted on the bottom and adjust it with holes;
6. Mount the conductor parallel to the lengths of the conductor as in the photos using screws and nuts Flanged 6MA supplied together with silvered bars seen earlier in point 3 (depending on the type of ISOLSBARRA DV conductors will be supplied to "C" or tenants "L"). Start the shortest (L3 phase or T);

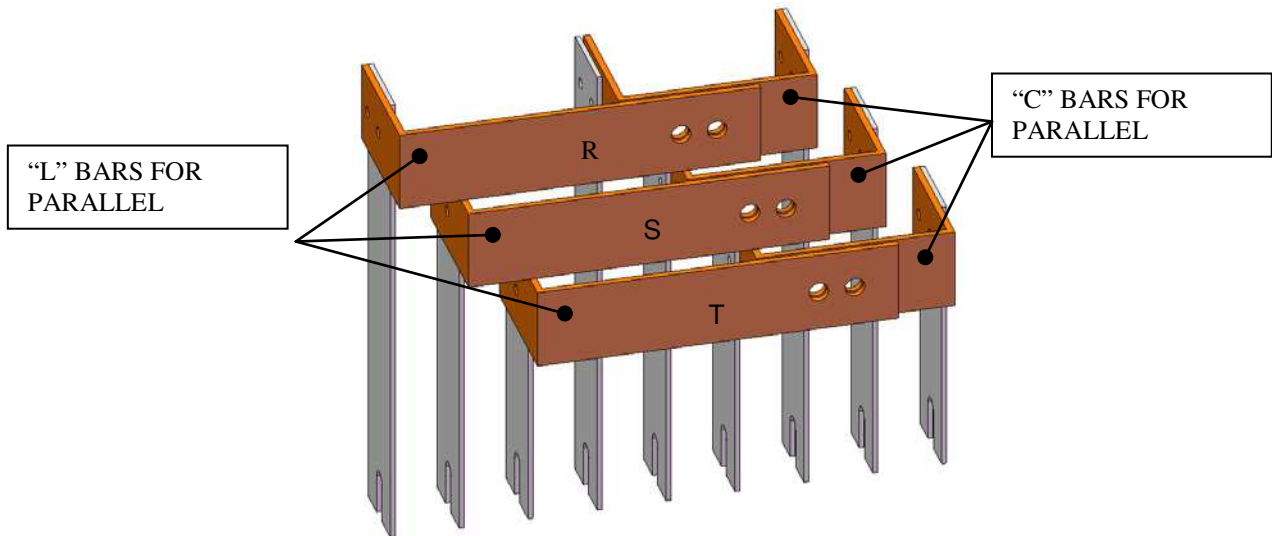
- ✓ Line with 1 conductor per phase:



- ✓ Line with 2 conductors per phase:



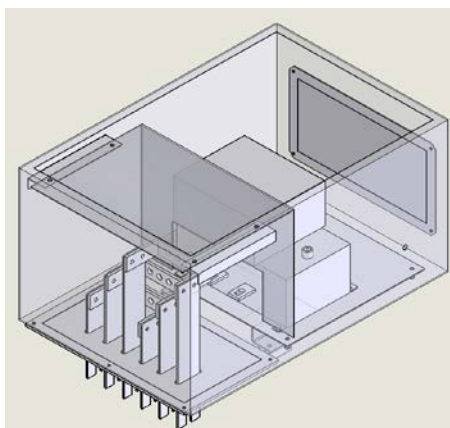
- ✓ Line with 3 conductors per phase:



7. Take a copper bar for each phase. According to the phase to which should be connected will have a different length.  
Late, fold the bar and fix with screws, elastic washers and nuts (one extremity connected at the pre-assembled switch gear, the other conductors to type "C" or "L");
8. Complete the assembly with the positioning of the transparent protection.

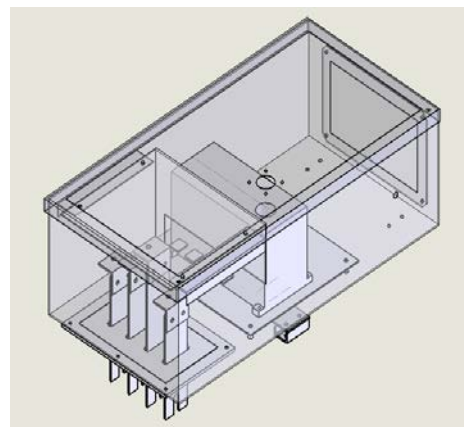
## DRAWING (DV TYPE) TAP OFF BOXES ASSEMBLED

- 3P (6 conductors) – DV 400 A



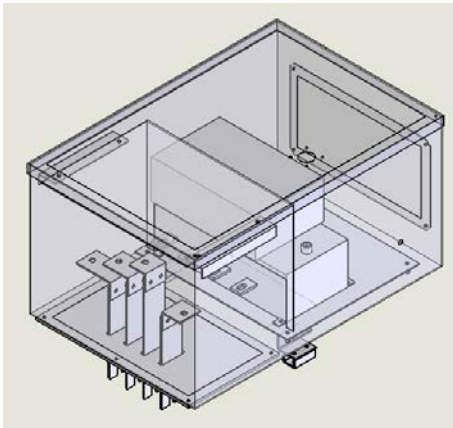
L3-L2-L1-L3-L2-L1

- 3P+ N(P) (4 conductors) – DV 160 A

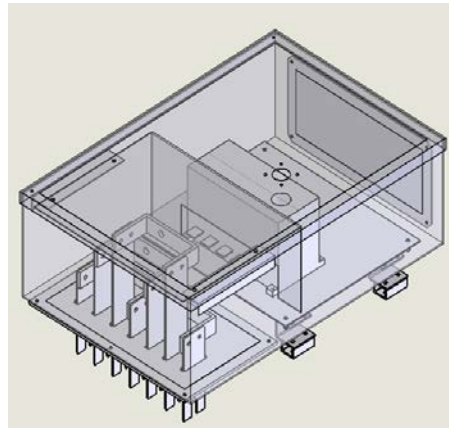


L3-L2-L1-N

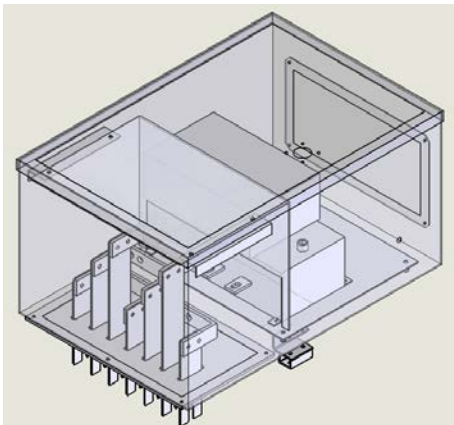
- 3P+ N(P) (4 conductors)–DV 400 A

**L3-L2-L1-N**

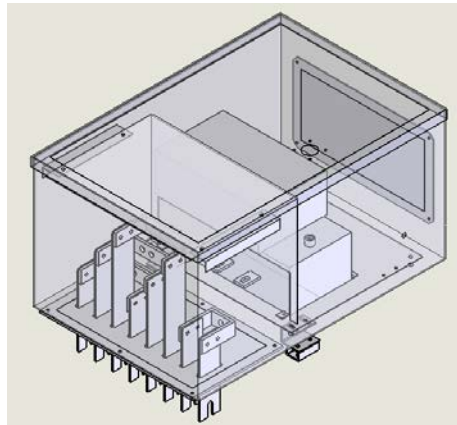
- 3P+ N(1/2P) (7 conductors)–DV 160 A

**L3-L2-L1-L3-L2-L1-N**

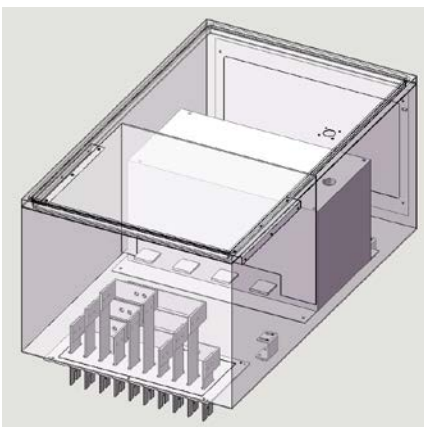
- 3P+ N(1/2P) (7 conductors)–DV 400 A

**L3-L2-L1-L3-L2-L1-N**

- 3P+ N(P) (8 conductors)–DV 400 A

**L3-L2-L1-L3-L2-L1-N-N**

- 3P+ N(1/2P) (10 conductors) – DV 1250 A

**L3-L2-L1-L3-L2-L1-L3-L2-L1-N**