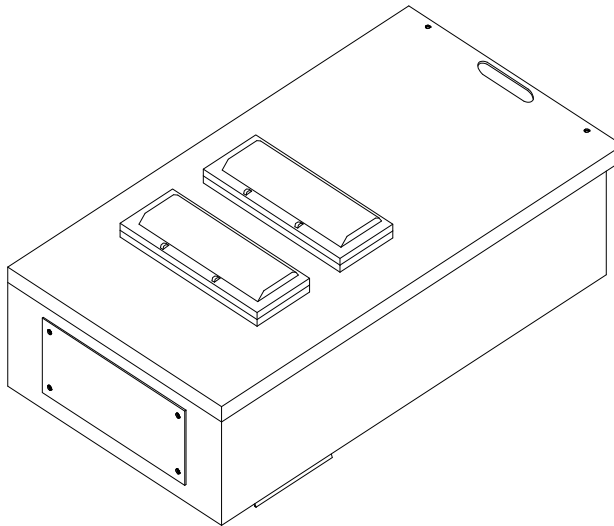
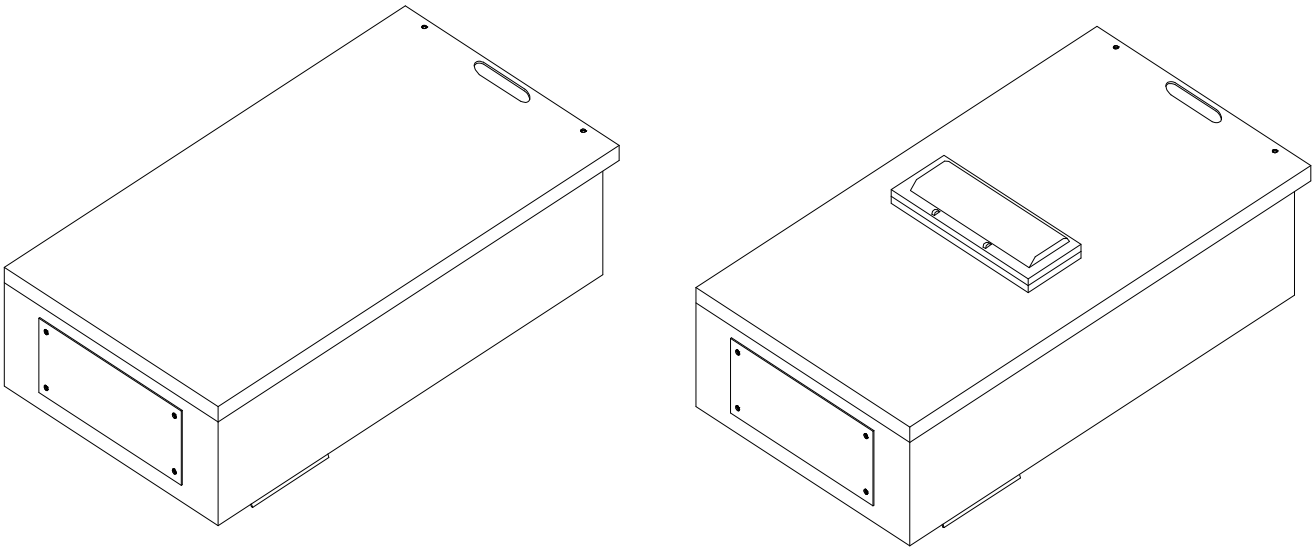
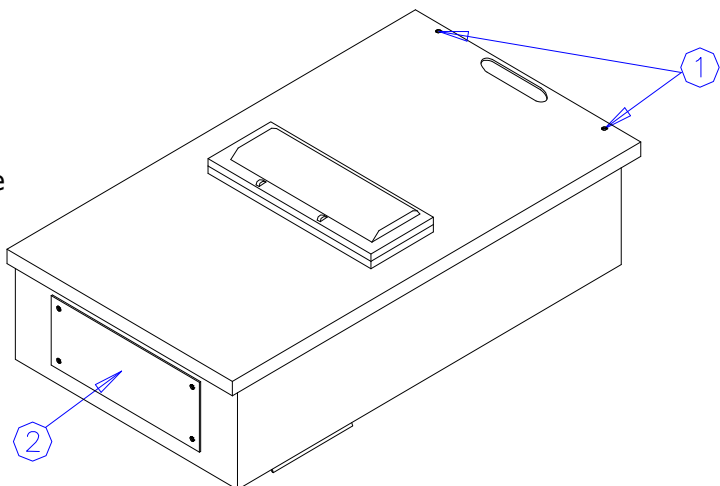


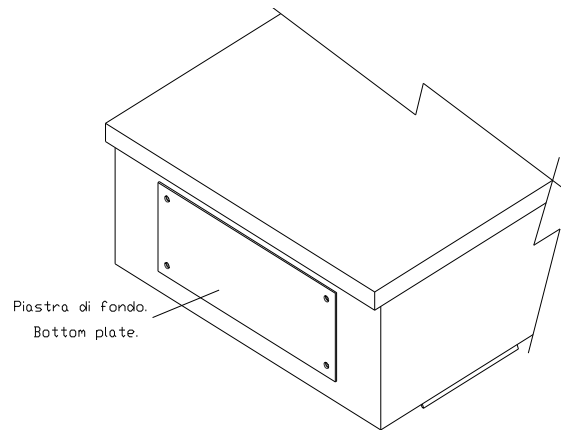
**TAP OFF BOX 160/250/400A****VALID FOR:**

**Cod. GDA401600**  
**Cod. GDA401601**  
**Cod. GDA401602**  
**Cod. GDA401603**  
**Cod. GDA402500**  
**Cod. GDA402501**  
**Cod. GDA402502**  
**Cod. GDA402503**  
**Cod. GDA404000**  
**Cod. GDA404001**  
**Cod. GDA404002**  
**Cod. GDA404003**

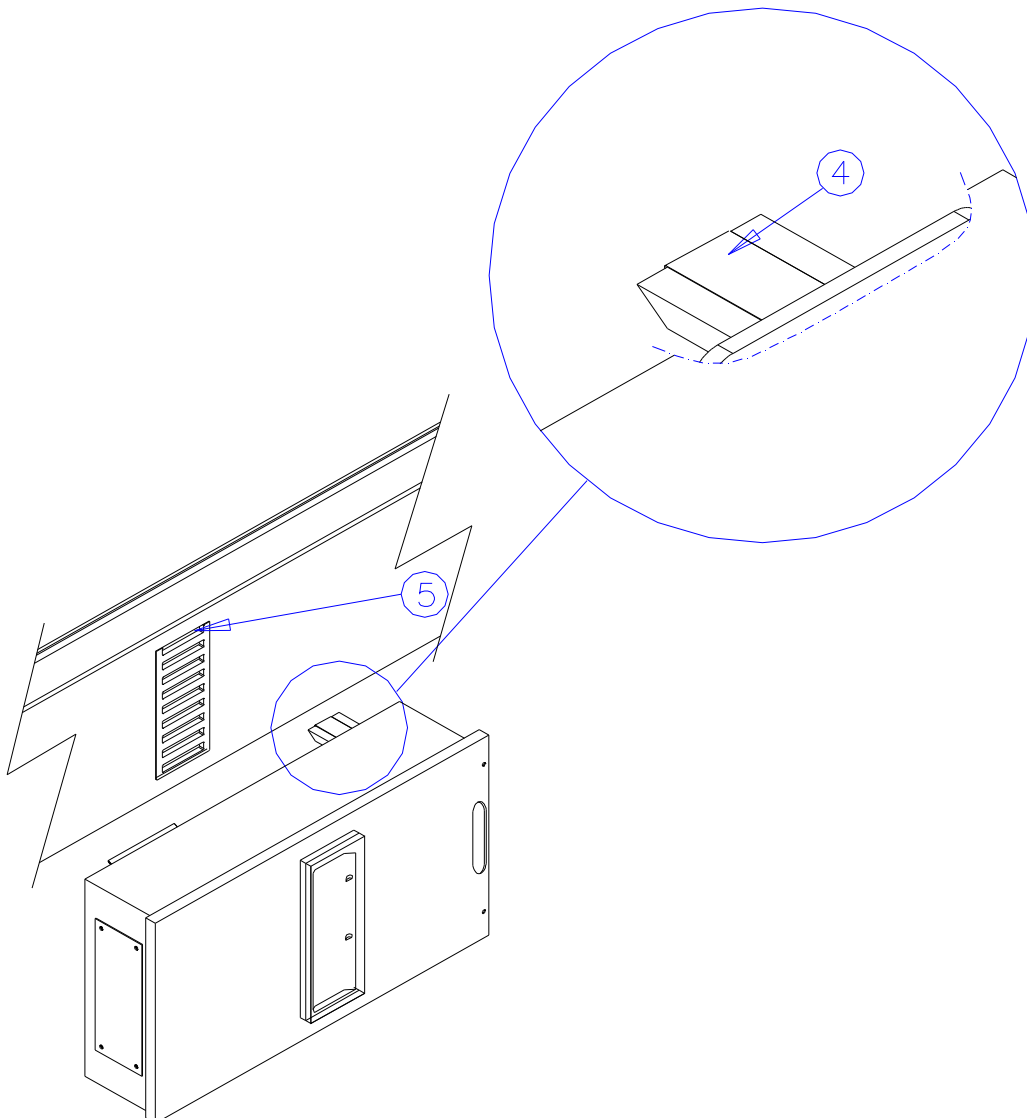
- a) Unscrew the cover screws (1) to be able to open the cover.



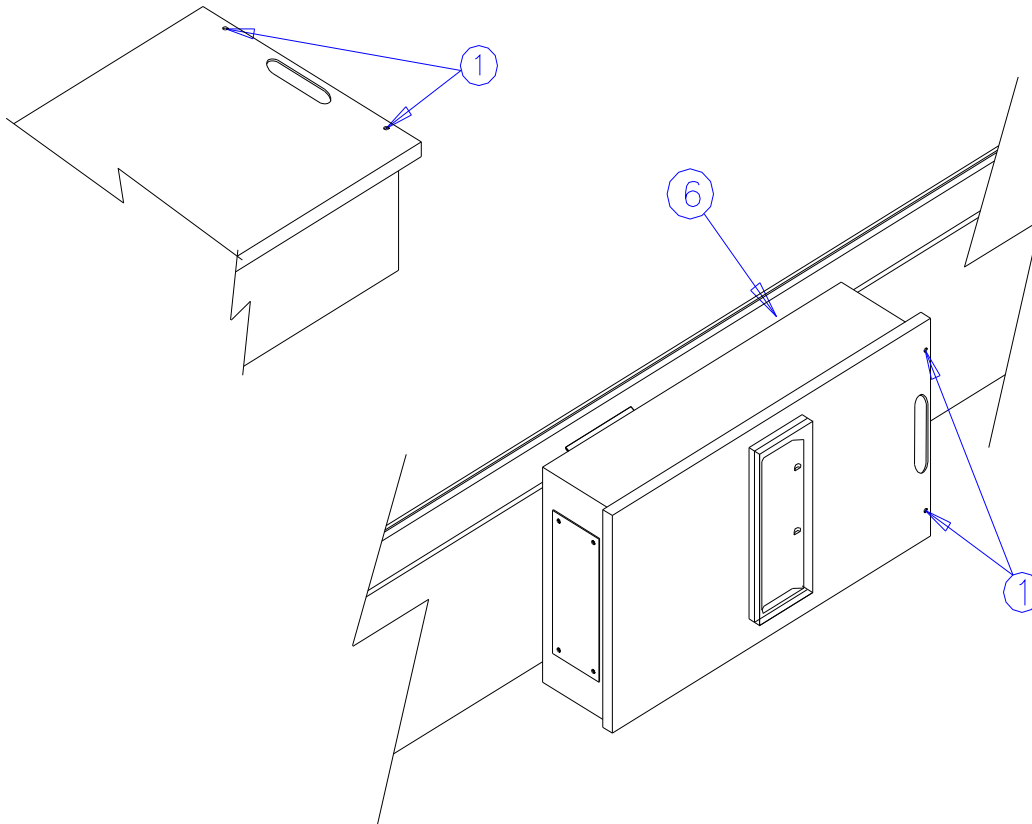
- b) Mill the tap off body bottom (2), with a proper tool in accordance to the selected cable.



- c) Insert the stepped gland, then insert cable and carry out all electrical connections. Check that the internal tap off box must be clean and check that there is not copper filaments or other conductive objects.
- d) Open the cover, open the hooks and insert carefully the tap off box into the tap off unit and check that PE contact (4) correspond with line PE contact (5).



e) Push in the tap off box and hook up the hooks to the bus duct (6) and tighten the screws.



f) Close cover and screw it (1).