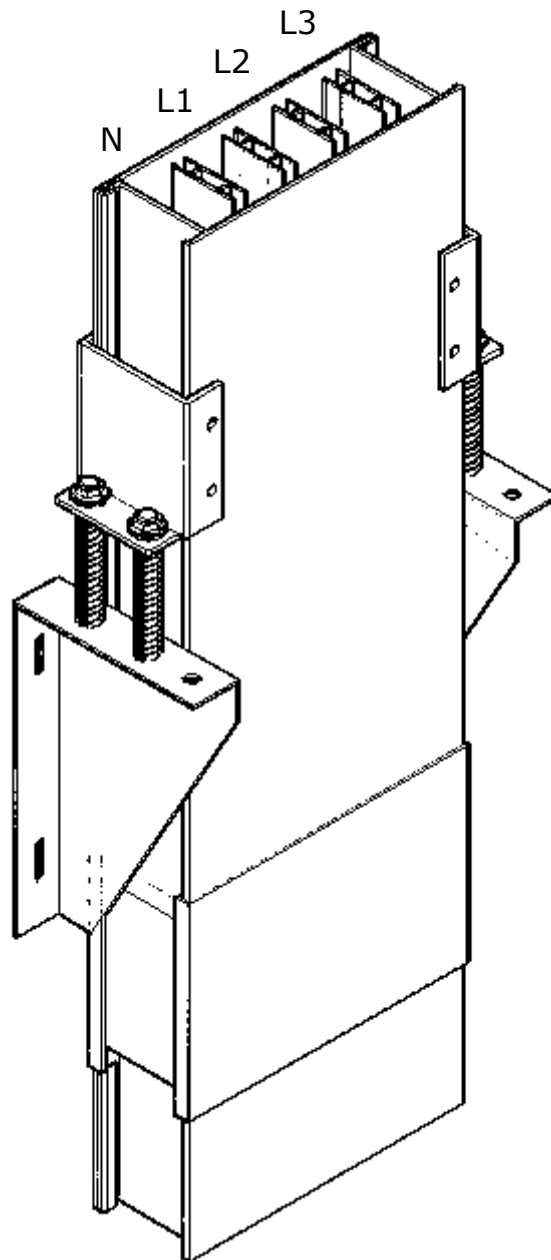
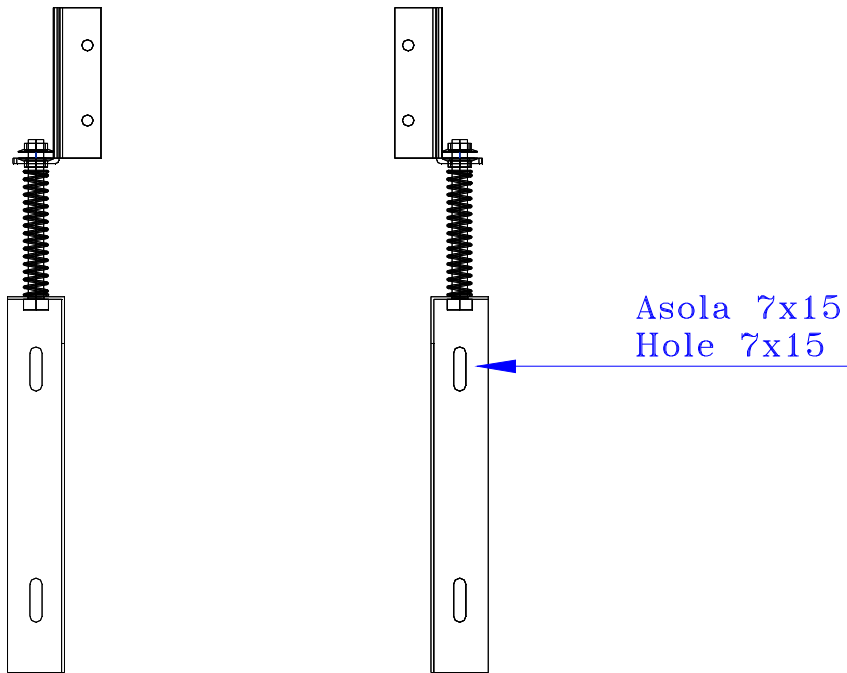


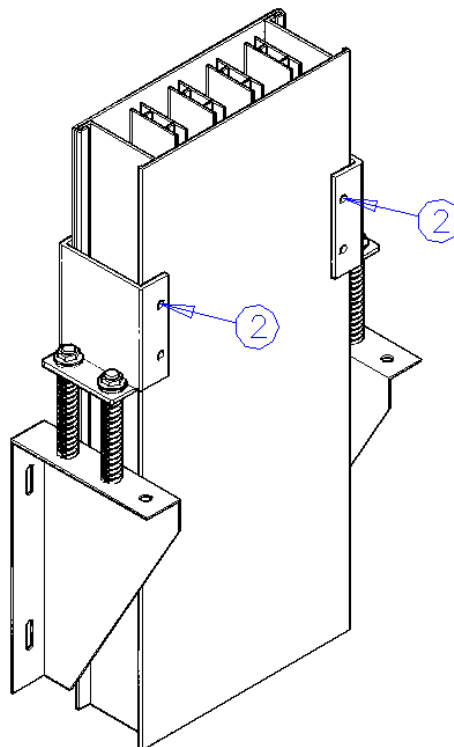
VERTICAL RISERS**HANGER AND INTERNAL BUSBAR CLAMP****VALID FOR:****Cod. GDA010002M****Cod. GDA010002****Cod. GDA010003****Cod. GDASSV4****Cod. GDASSV5**

- a) Start the assemblage from the bottom (after the end feed unit or the switchboard feed unit), mount the first element with the internal busbar clamp device using an hanger for vertical risers to block the busbar line at the building.
- b) Fix the hangers for vertical risers to the building.



- c) Insert the straight element between the two hangers and screw the four self tapping screws (2) supplied.

Attention:
The distance from the
wall depends on the feed unit.



- d) Assemble on all the GDA bars the fixing hangers (GDA010000/GDA010001/GDASS4/GDASS5) (n°2 hangers each bar) and execute the junction by one-bolt joint.
- e) Every 150 Kg of line, assemble the second hanger for vertical risers and every 12 meters of line assemble the straight element with the internal busbar clamp.

GDA lines	One hanger for vertical riser every:
63 -160 A	10 elements
250 -400 A	5 elements
500 -1000 A	3 elements
1250 -1600 A	2 elements
2000 -2500 A	2 elements

GDR lines	One hanger for vertical riser every:
100 -250 A	5 elements
400 -800 A	3 elements
1250 -1600 A	2 elements
2000 -2500 A	2 elements

- f) Assemble the tap off boxes and the end cap to finish the installation.