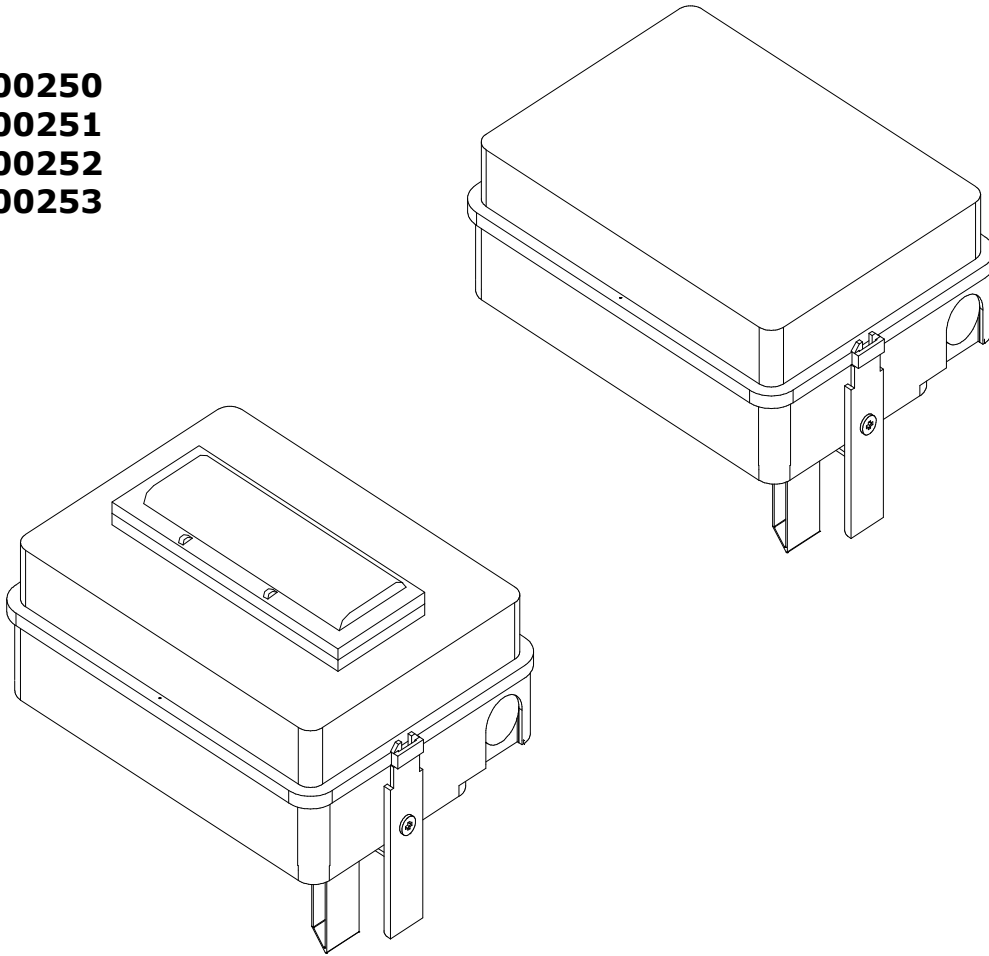
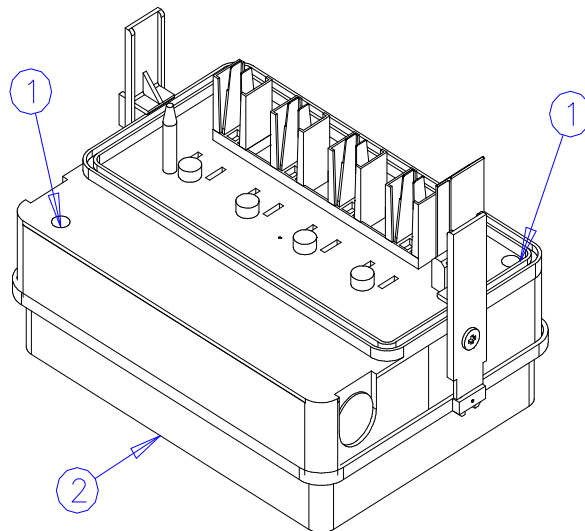
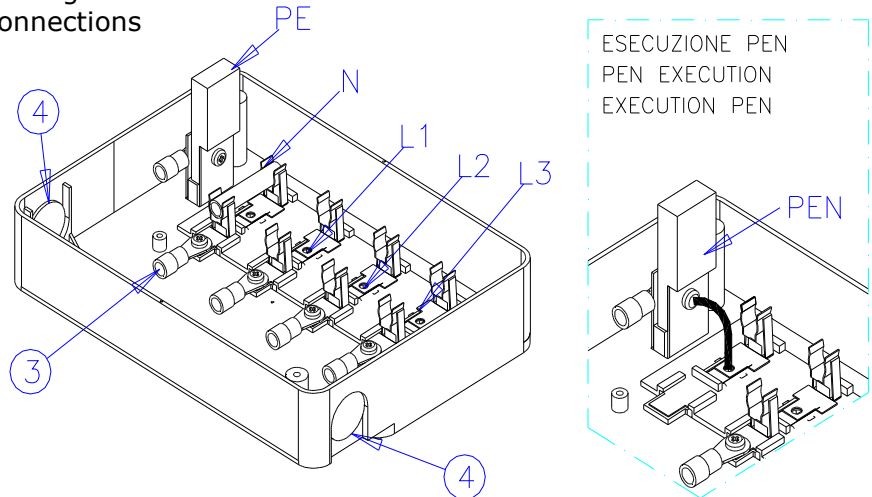


**TAP OFF BOX 32A****VALID FOR:****Cod. GDA400250****Cod. GDA400251****Cod. GDA400252****Cod. GDA400253**

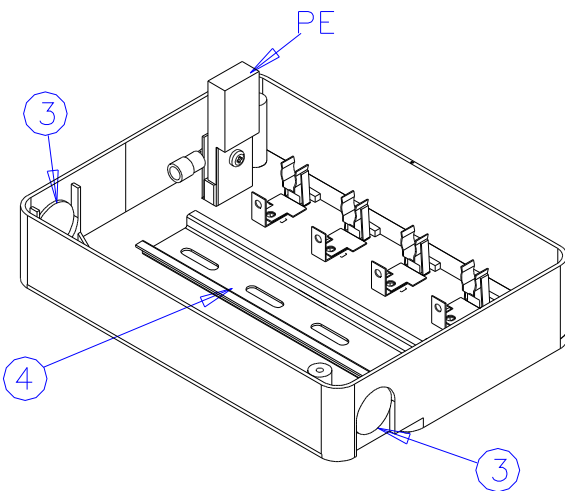
- a) Unscrew the two screws (1) to open the cover (2).



- b) Insert cable from the side (4) using the right gland. Make electrical connections with existing terminals (3).

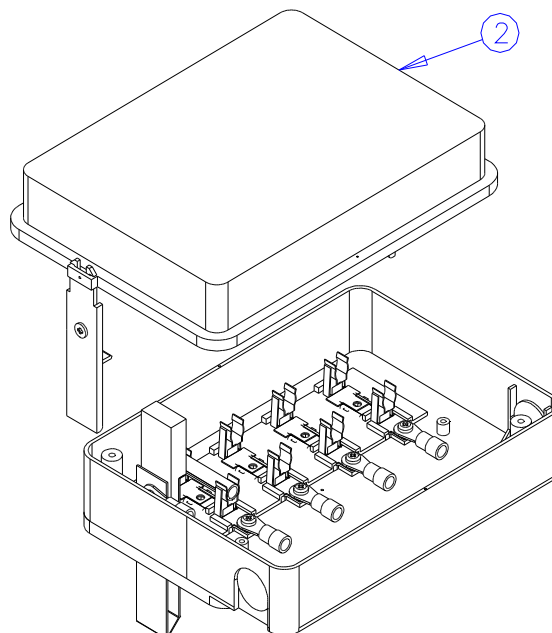


ONLY FOR GDA400252  
modular circuit breaker version

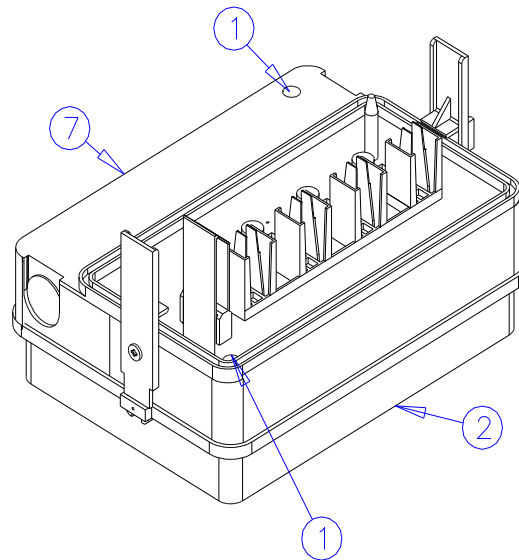


Insert cable from the side (3) using the right cable gland. Make electrical connections on the switch (not supplied) and hook it up to the DIN rail (4).

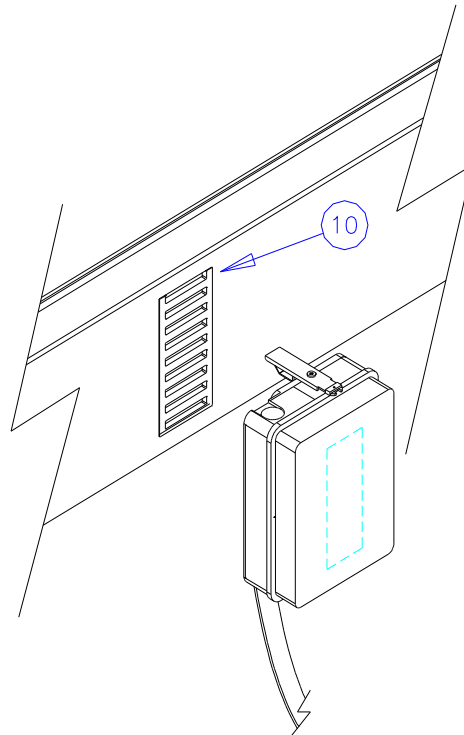
- c) Close the cover (2).



- d) Tight the screws (1) and check if cover (2) is well fixed to the tap off box body (7).



- e) Insert tap off box in tap off unit positioned on straight element (10). Check that electrical grounding contact PE, is well done.



- f) Bring near the two hooks (5) to straight element edge and block with screws (9) to the tap off unit body (7).

