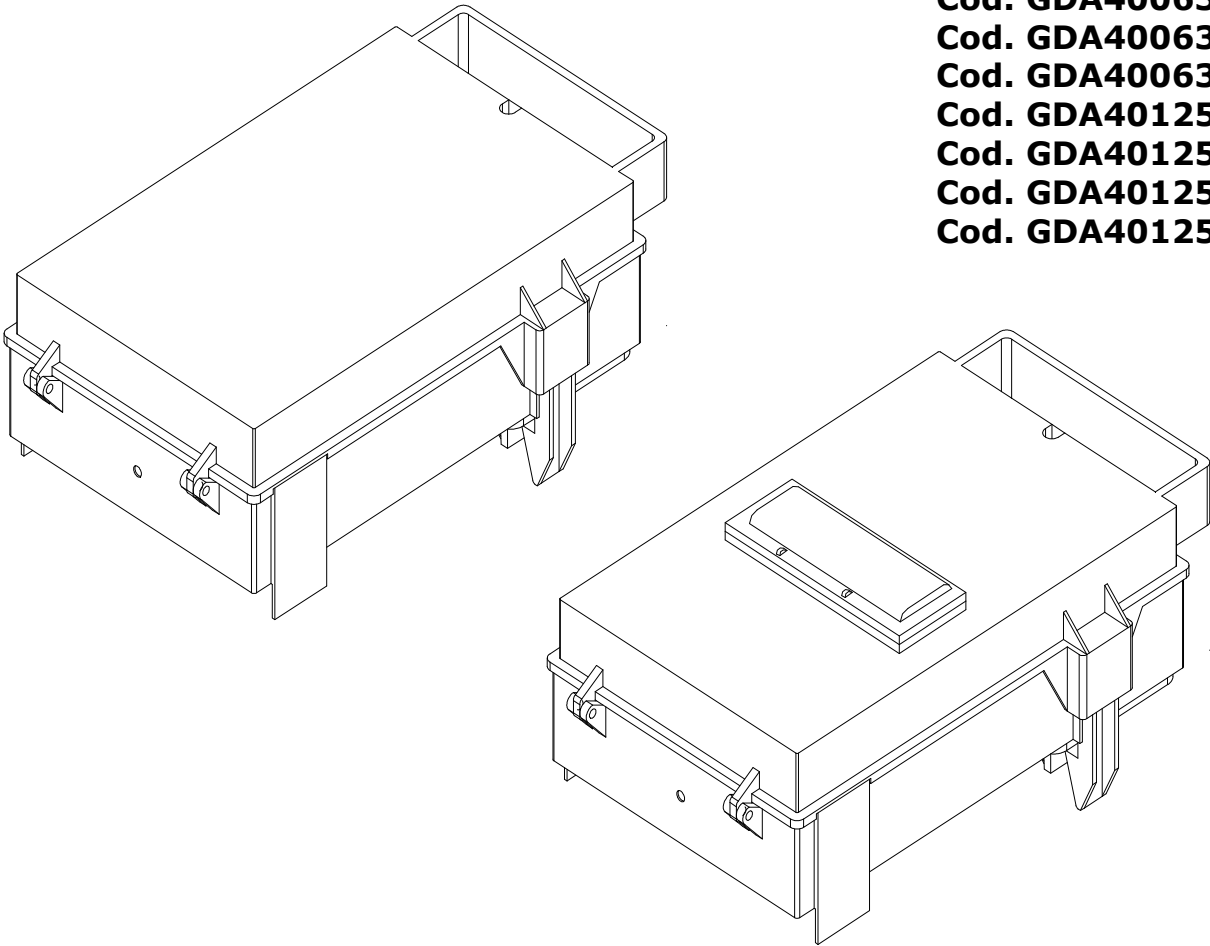
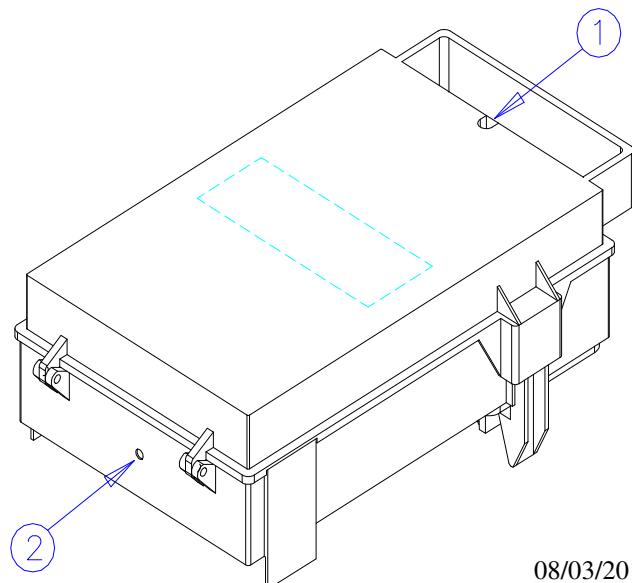


TAP OFF BOX 63/125A**VALID FOR:**

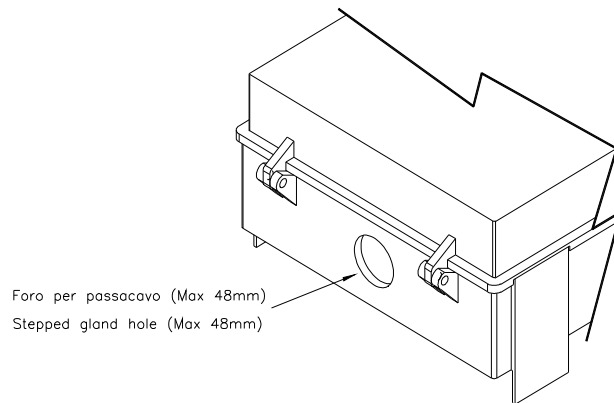
Cod. GDA400630
Cod. GDA400631
Cod. GDA400632
Cod. GDA400633
Cod. GDA401250
Cod. GDA401251
Cod. GDA401252
Cod. GDA401253



a) Unscrew the cover screw (1) to be able to open cover.

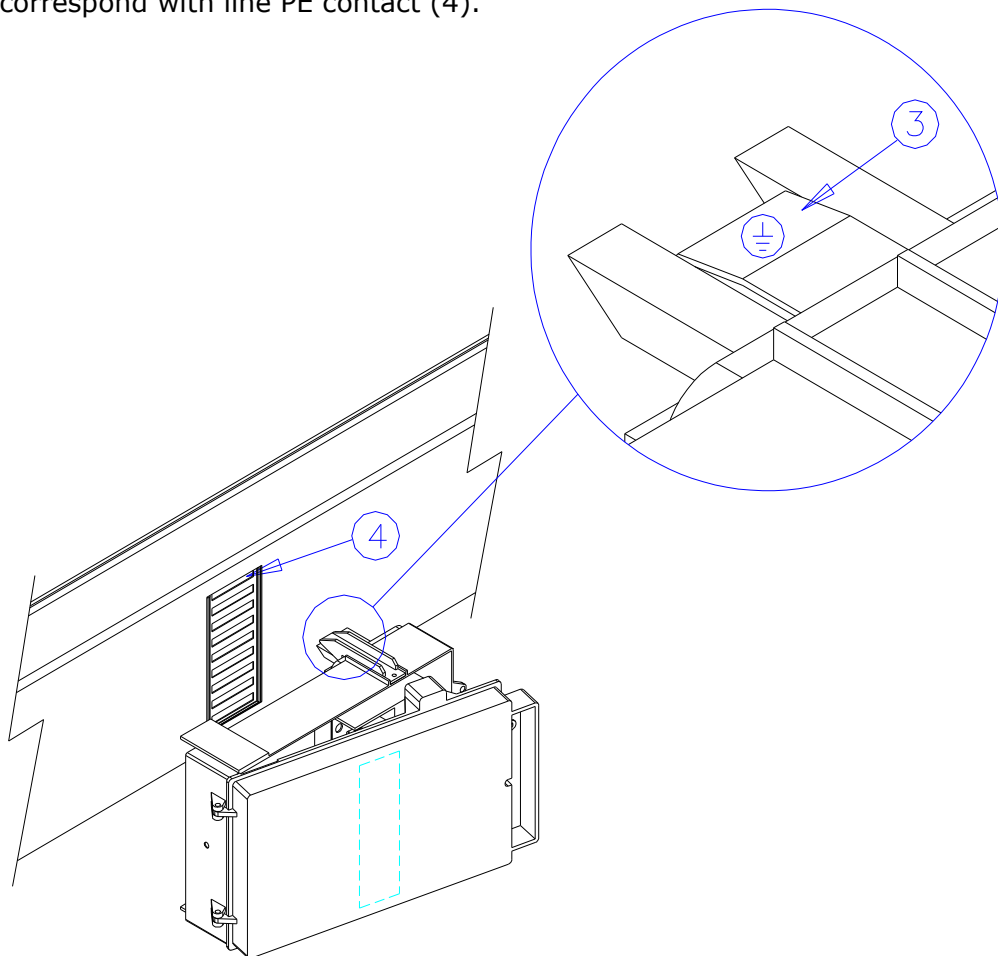


- b) Mill the tap off body with a proper tool (max. diameter 48mm) in accordance to the selected cable. The correct hole execution is made easier by the dead hole (2) present on the hinge side.

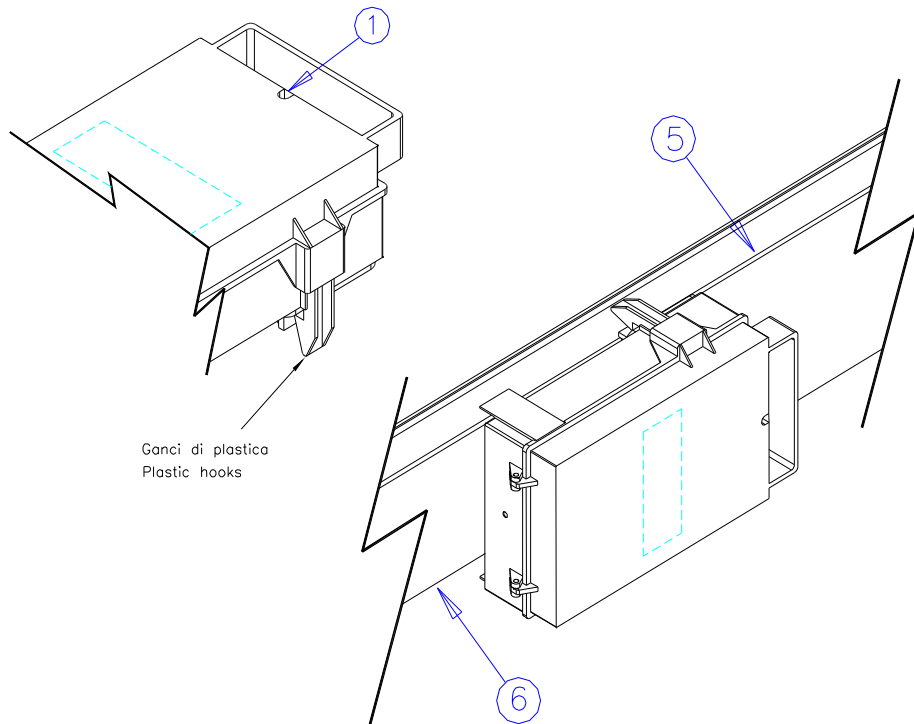


- c) Insert the stepped gland, then insert cable and carry out all electrical connections. Check that the internal tap off box must be clean and check that there is not copper filaments or other conductive objects.

- d) Open the cover and insert carefully the tap off box into the tap off unit and check that PE contact (3) correspond with line PE contact (4).



- e) Push the tap off box until the two lateral plastic hooks has released. The lateral hooks must hook up to the busbar edges (5).



- f) Close cover and screw it (1).